



## Line Terminal Cover

(For use on Bulletin 1494C, 1494F, 1494G, 1494V and 500 Line Combination Starters  
30A, 60A, 100A, 200A, 400A and 600A Disconnect Switches - Series D)

(Bul 1495-N80, -N81, -N82, -N83)



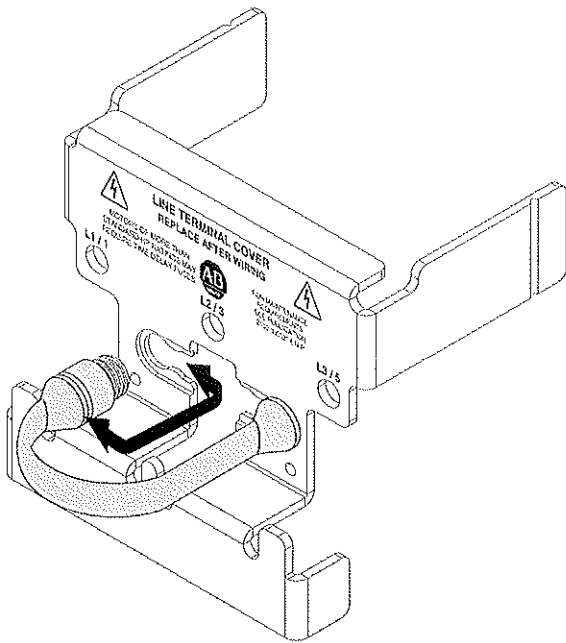
To prevent electrical shock, disconnect from power source before installing or servicing. Install in suitable enclosure. Keep free from contaminants.

30A....100A -- 1495-N80

200A -- 1495-N81

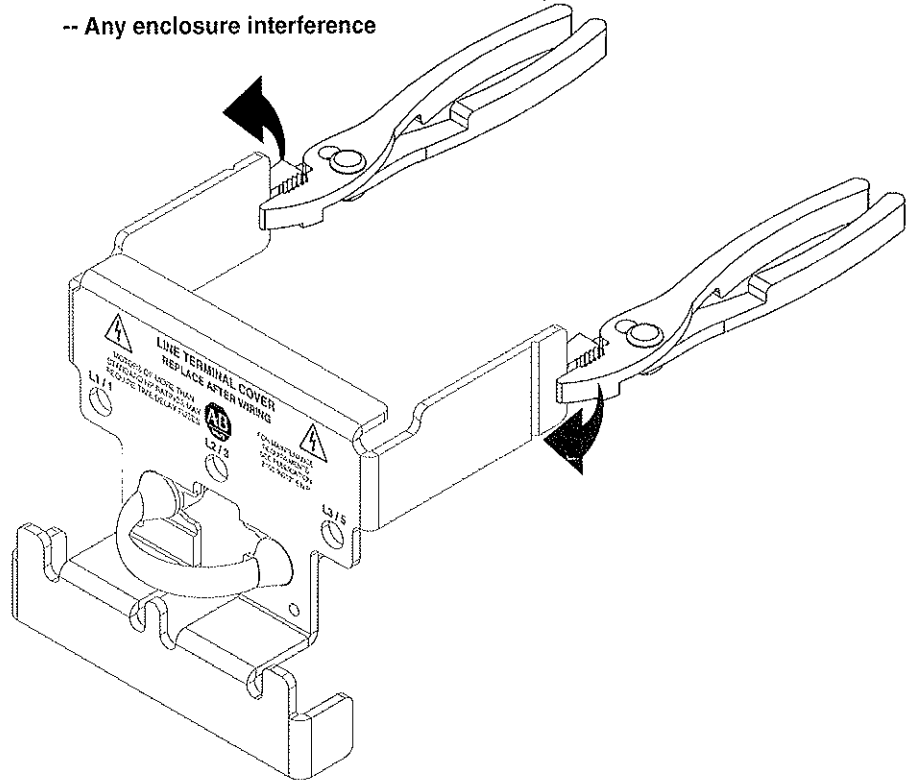
400A -- 1495-N82

**1** Install rubber handle.

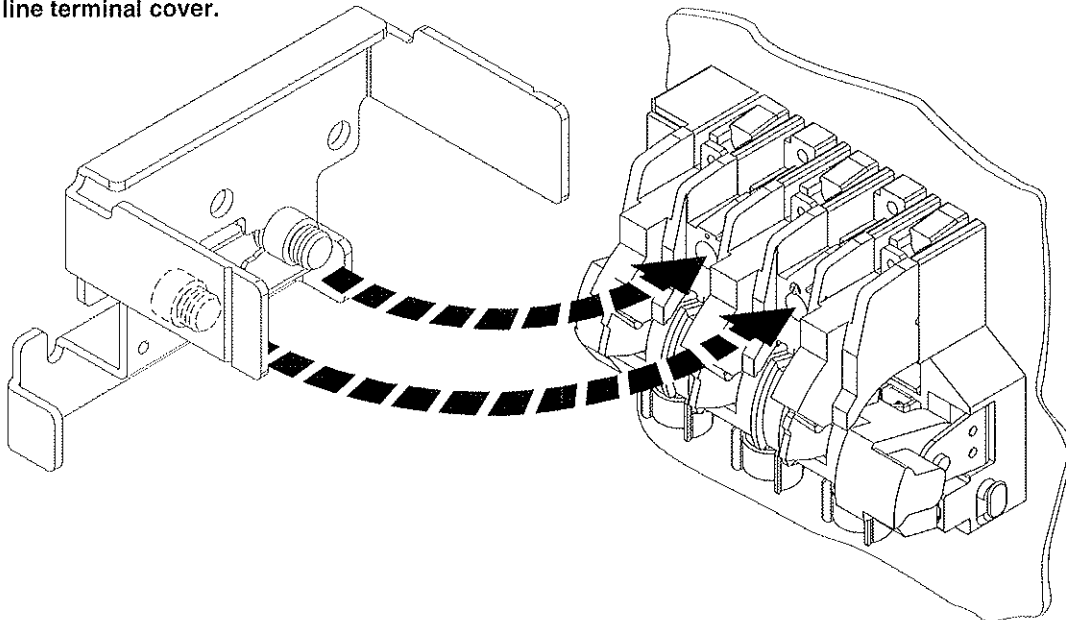


**2** Break away tabs when installing on:

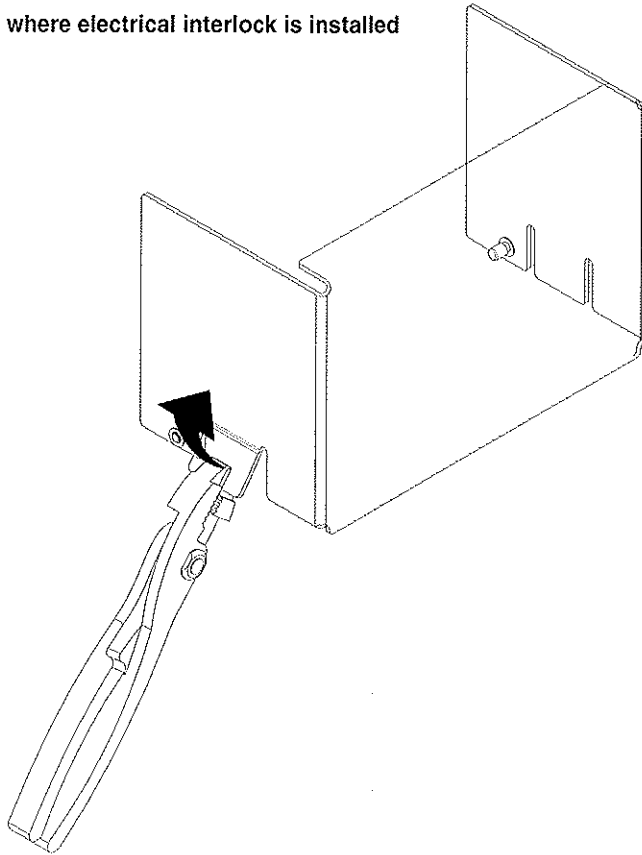
- Bulletin 1494G Safety Switches
- Bulletin 1494F Fixed Depth Disconnect Switches
- Bulletin 500 Line Combination Starters / Pump Panels with Disconnect switches
- Any enclosure interference



**3** Install line terminal cover.



- 1 Break away tab on side where electrical interlock is installed



- 
- 2 Install line terminal cover by spreading sides apart slightly and inserting pins into holes of mechanism bracket.

